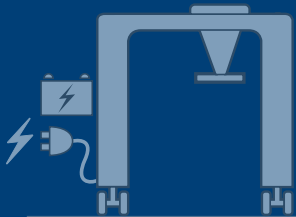
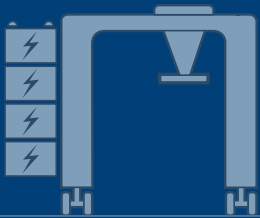


BatteryPack-Hybrid
With medium battery
and small diesel genset



BatteryPack-FE
With small battery and
grid power



BatteryPack-BE
With large battery

BatteryPack -Hybrid

ECO  **BatteryPack**

More Performance
Less Emissions

CONDUCTIX
wampfler

Stacking Yard & Block changing

In Conductix-Wampfler Hybrid RTG systems the BatteryPack is the main power supply and connected through a very efficient DC/DC converter to the DC bus of RTG drive.

All energy consumed by the hoist, gantry, trolley and the auxiliaries in the stack and during block changes is provided by the sufficiently sized battery system.

ECO  **BatteryPack**



Regenerated energy from the motors during e.g. lowering a container can be recovered and is fed back to the battery system through the DC/DC converter.

If the battery system reaches its low-level State of Charge (SOC) the small size genset will be started to recharge the battery system until it attains its upper level of SOC again.

During the charging process the RTG can be operated without any limitation.

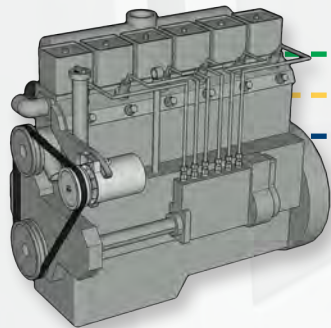
The fully charged battery system supports more than 30 container moves* or an idling period of 2-4 hours** before the battery system is recharged again.

* based on an average container weight of 12t

** depending on the actual ambient conditions

BatteryPack-Hybrid

Medium battery and small diesel genset



Diesel Genset

AC/DC

DC/DC

RTG
Drive System

Batteries





Benefits



Up to 60% fuel saving
compared to a conventional
diesel RTG crane



Lower CO₂ emissions



Reduced maintenance
and fuel cost



Achieve sustainability
targets



ECO BatteryPack

Technical Features

Battery Type

Li-ion (NMC)

Battery Lifetime

8 years (15000 cycles)*

Cooling System

Liquid Cooling

Battery-System Capacity

110 – 150 kWh**

DC/DC converter

600 – 850 A (bi-directional)

Diesel Genset

- Typical rating: < 100 kW
- Emission standards: EUIII/IV ¹⁾
or US Tier 3/4 ²⁾

*12 moves per hour, 20 hours/day, 350 days/year, SOC 35%-65%

**up to RTG requirement

¹⁾ 12 stage V on request

²⁾ Tier 5 on request

www.conductix.com

Conductix-Wampfler has just one critical mission: To provide you with energy and data transmission systems that will keep your operations up and running 24/7/365.

More Performance – Less Emissions!

E-RTG@conductix.com

www.conductix.com

